




SPECIFICATION SHEET NO.	S0331 – RE24M00000S121	
ORIGINAL MFG/PART NO.	TGS Crystals/COM3211AGI01 TLF-24M000	
NEXTGEN PART CODE	RE24M00000S121	Indicate This Code For RFQ /Order
DATE	Mar. 31, 2025	
REVISION	A3	Updated With Most Recent Data
DESCRIPTION AND MAIN PARAMETRICS	<p>SMD Crystal Oscillator, 3225 Type, 4 Pads, RE series, Case Dimension L3.2*W2.5*H1.0mm 24.000MHz, Supply Voltage 1.8V, Tolerance $\pm 25\text{ppm}$ @$25^{\circ}\text{C} \pm 3^{\circ}\text{C}$ Symmetry 45/55; Output Waveform HCMOS, Output Load 15pF Tri-State (Output Enable) Via Pin 1 Operating Temp. Range $-40^{\circ}\text{C} \sim +85^{\circ}\text{C}$ Package in Tape/Reel, 3000pcs/Reel REACH/RoHS/RoHS III Compliant</p>	
CUSTOMER		
CUSTOMER PART NUMBER		
CROSS REF. PART NUMBER		
MEMO		

VENDOR APPROVE			
Issued/Checked/Approved			
Effective Date: Mar. 31, 2025			

CUSTOMER APPROVE	
Date:	

MAIN FEATURE

- SMD Package, Seam Sealed, 3225 Type, 4 Pads
- Case Dimension L3.2*W2.5*H1.0mm
- Low Noise And Low Current
- Industry Standard
- Reflow Profile Condition 260 °C Max.
- Tristate Function – Enable/Disable or Tri-State (Output Enable) Via Pin 1
- Cross More Competitor's Part
- REACH/RoHS/RoHS III Compliant



Image shown is a representation only. Exact specifications should be obtained from the product dimension.

APPLICATION

- PDA, PND, DSC, Smart phone, WiLAN, Bluetooth and more
- Communication Electronics



ELECTRICAL CHARACTERISTICS

- See Page 6 ~ Page 9 For Different Part Code.
- All Products Parameters are Subject To NextGen Components' Final Confirmation.

HOW TO ORDER

- Please Follow Up Part Code Guide And Indicate NextGen Part Code RE24M00000S121 For RFQ and Order.

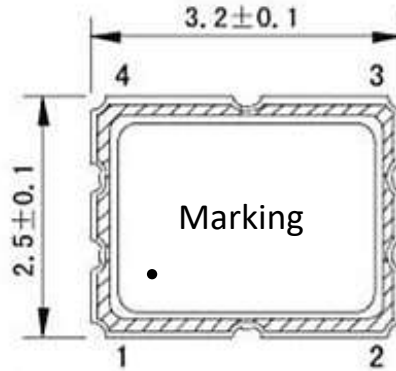
PART CODE GUIDE

RFQ
[Request For Quotation](#)

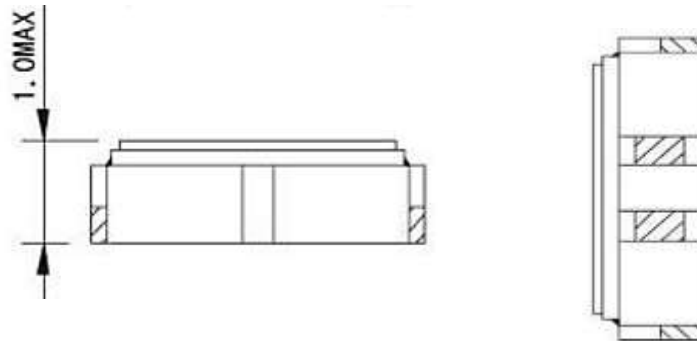
CODE	NAME	KEY SPECIFICATION OPTION
RE	Series Code	SMD Crystal Oscillator 3225 Type, 4Pads Case Dimension L3.2*W2.5*H1.0mm
24M0	Frequency Range Code	24M0: 24.0MHz or Custom Frequency Range
0000S	Internal Control Code	Letter A~Z, a~z or Digits (0~9)
121	Parameters Code	Special Parameters Code Letter A~Z, a~z or Digits (1-9)
XX	Special/Custom Parameters Code	Blank: N/A XX: Letter A~Z, a~z or Digits (0~9) for Special/Custom Parameters

DIMENSION - Unit: mm, Case Dimension L3.2*W2.5*H1.0mm

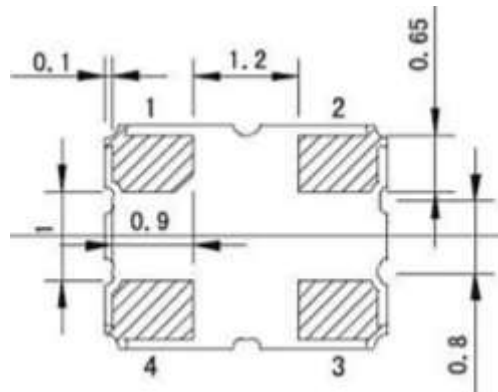
Top View



Side View



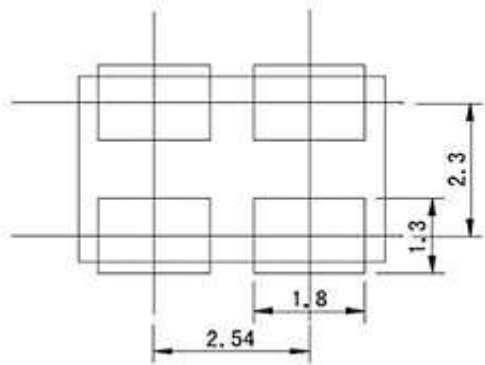
Bottom View



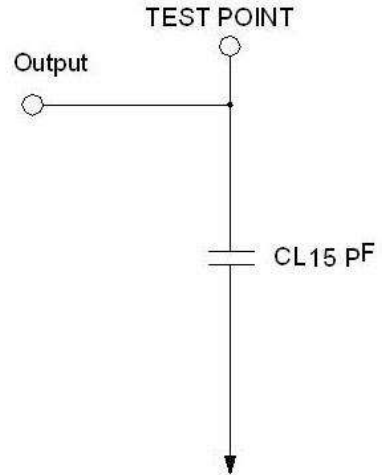
Pin Function

- # 1 Tristate Enable Via #1
- #2 Ground
- #3 Output
- #4 VDD

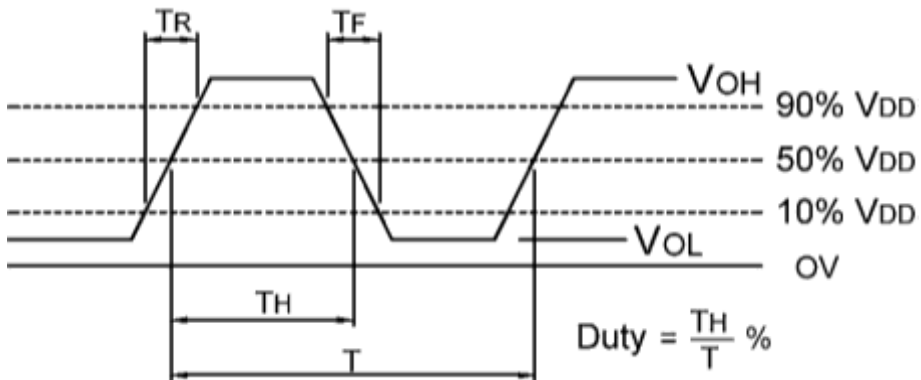
SUGGESTED LAYOUT – Unit: mm, For Reference



CIRCUIT PRINCIPLE – For Reference



OUTPUT WAVEFORM - HCMOS LOAD



GENERAL SPECIFICATION

PARAMETER	SYMBOL	VALUE			UNIT	CONDITION
		MIN.	TYPE	MAX.		
Frequency Range	F0	1.0	-	150.0	MHz	Please specify
Frequency Tolerance	$\Delta F/F0$	± 10	-	± 50	ppm	at 25°C ± 3 °C
Tristate Function	INH N	Disable or Tri-State (Output Enable) Via Pin 1				Please specify
Operating Temp. Range	TOPR	-40	-	+85	°C	
Storage Temp. Range	TSTG	-55	-	+125	°C	
Power Supply	Voltage	VDD	1.8, 2.5, 3.3, 5.0		V	Please specify
	Current	IDD	-	-	10	mA
Output Level	VOH	90% Vdd	-	-	V	Output High(Logic "1")
	VOL	-	-	10% Vdd	V	Output Low(Logic "0")
	Load	15, 30, 50			pF	Please specify
Output Waveform		HCMOS				Please specify
Duty Cycle	Duty	45	-	55	%	
Phase Jitter	rms	-	-	1	ps	
Start-up Time	Tosc	-	-	10	mSec.	
Rise/ Fall time	Tr/Tf	-	-	8	nSec.	
Aging	FA	-3	-	+3	ppm	Frequency drift in 1st year

ELECTRICAL PARAMETERS – FOR DIFFERENT PART CODE- Ta = 25°C

PART CODE	FREQUENCY RANGE	SUPPLY VOLTAGE	FREQUENCY TOLERANCE	OUTPUT WAVEFORM	OUTLOAD	TRISTATE FUNCTION
	MHz	V	ppm @25°C		pF	
RE3M579545S321	3.579545	3.3	±25	HCMOS	15	Tri-State (Output Enable)
RE8M000000S321	8.000000	3.3	±25	HCMOS	15	Tri-State (Output Enable)
RE8M192000S321	8.192000	3.3	±25	HCMOS	15	Tri-State (Output Enable)
RE10M000000S321	10.000000	3.3	±25	HCMOS	15	Tri-State (Output Enable)
RE11M28960S321	11.289600	3.3	±25	HCMOS	15	Tri-State (Output Enable)
RE12M000000S351	12.000000	3.3	±50	HCMOS	15	Tri-State (Output Enable)
RE12M000000S321	12.000000	3.3	±25	HCMOS	15	Tri-State (Output Enable)
RE12M288000S351	12.288000	3.3	±50	HCMOS	15	Tri-State (Output Enable)
RE12M288000S321	12.288000	3.3	±25	HCMOS	15	Tri-State (Output Enable)
RE16M000000S351	16.000000	3.3	±50	HCMOS	15	Tri-State (Output Enable)
RE16M000000S321	16.000000	3.3	±25	HCMOS	15	Tri-State (Output Enable)
RE19M200000S321	19.200000	3.3	±25	HCMOS	15	Tri-State (Output Enable)
RE20M000000S321	20.000000	3.3	±25	HCMOS	15	Tri-State (Output Enable)
RE24M00000S121	24.000000	1.8	±25	HCMOS	15	Tri-State (Output Enable)
RE24M000000S351	24.000000	3.3	±50	HCMOS	15	Tri-State (Output Enable)
RE24M000000S321	24.000000	3.3	±25	HCMOS	15	Tri-State (Output Enable)
RE24M576000S351	24.576000	3.3	±50	HCMOS	15	Tri-State (Output Enable)
RE24M576000S321	24.576000	3.3	±25	HCMOS	15	Tri-State (Output Enable)
RE25M000000S121	25.000000	1.8	±25	HCMOS	15	Tri-State (Output Enable)
RE25M000000S351	25.000000	3.3	±50	HCMOS	15	Tri-State (Output Enable)

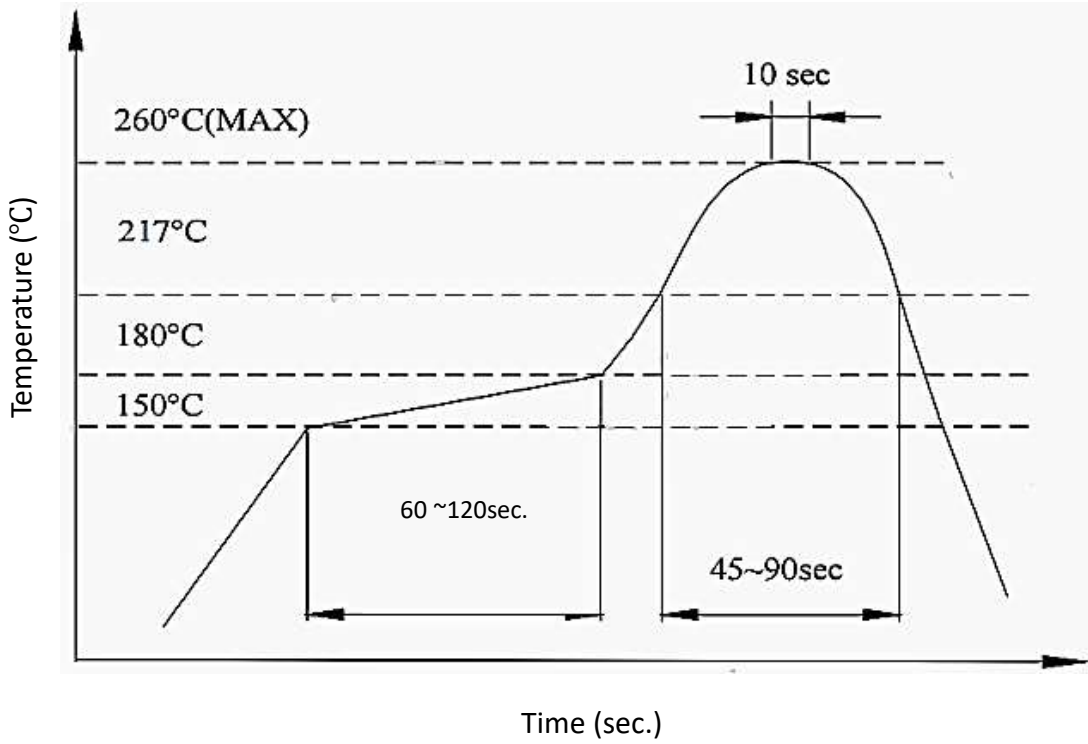
ELECTRICAL PARAMETERS – FOR DIFFERENT PART CODE- Ta = 25°C

PART CODE	FREQUENCY RANGE	SUPPLY VOLTAGE	FREQUENCY TOLERANCE	OUTPUT WAVEFORM	OUTLOAD	TRISTATE FUNCTION
	MHz	V	ppm @25°C		pF	
RE25M00000S321	25.000000	3.3	±25	HCMOS	15	Tri-State (Output Enable)
RE26M00000S321	26.000000	3.3	±25	HCMOS	15	Tri-State (Output Enable)
RE26M00000S351	26.000000	3.3	±50	HCMOS	15	Tri-State (Output Enable)
RE27M00000S351	27.000000	3.3	±50	HCMOS	15	Tri-State (Output Enable)
RE27M00000S321	27.000000	3.3	±25	HCMOS	15	Tri-State (Output Enable)
RE30M00000S321	30.000000	3.3	±25	HCMOS	15	Tri-State (Output Enable)
RE32M00000S351	32.000000	3.3	±50	HCMOS	15	Tri-State (Output Enable)
RE32M00000S321	32.000000	3.3	±25	HCMOS	15	Tri-State (Output Enable)
RE33M00000S321	33.000000	3.3	±25	HCMOS	15	Tri-State (Output Enable)
RE33M33300S321	33.333000	3.3	±25	HCMOS	15	Tri-State (Output Enable)
RE37M12500S351	37.125000	3.3	±50	HCMOS	15	Tri-State (Output Enable)
RE37M12500S321	37.125000	3.3	±25	HCMOS	15	Tri-State (Output Enable)
RE40M00000S351	40.000000	3.3	±50	HCMOS	15	Tri-State (Output Enable)
RE40M00000S321	40.000000	3.3	±25	HCMOS	15	Tri-State (Output Enable)
RE40M00000S311	40.000000	3.3	±10	HCMOS	15	Tri-State (Output Enable)
RE48M00000S351	48.000000	3.3	±50	HCMOS	15	Tri-State (Output Enable)
RE48M00000S321	48.000000	3.3	±25	HCMOS	15	Tri-State (Output Enable)
RE49M15200S321	49.152000	3.3	±25	HCMOS	15	Tri-State (Output Enable)
RE50M00000S351	50.000000	3.3	±50	HCMOS	15	Tri-State (Output Enable)
RE50M00000S321	50.000000	3.3	±25	HCMOS	15	Tri-State (Output Enable)

ELECTRICAL PARAMETERS – FOR DIFFERENT PART CODE- Ta = 25°C

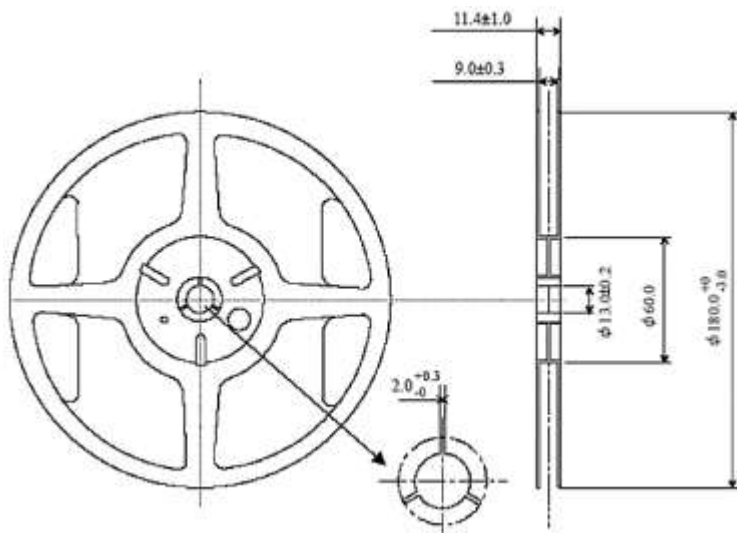
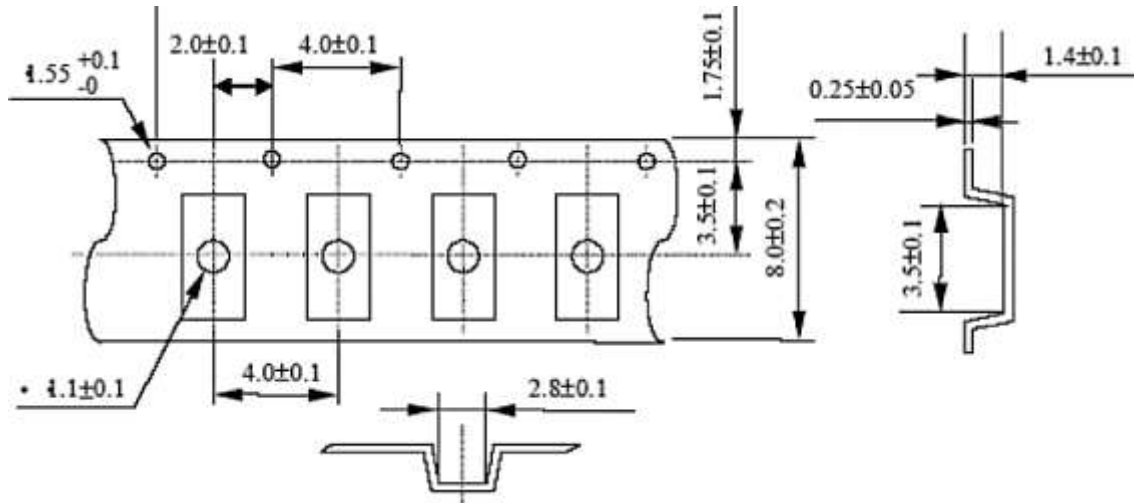
PART CODE	FREQUENCY RANGE	SUPPLY VOLTAGE	FREQUENCY TOLERANCE	OUTPUT WAVEFORM	OUTLOAD	TRISTATE FUNCTION
	MHz	V	ppm @25°C		pF	
RE54M00000S321	54.000000	3.3	±25	HCMOS	15	Tri-State (Output Enable)
RE72M00000S321	72.000000	3.3	±25	HCMOS	15	Tri-State (Output Enable)
RE100M0000S351	100.00000	3.3	±50	HCMOS	15	Tri-State (Output Enable)
RE100M0000S321	100.00000	3.3	±25	HCMOS	15	Tri-State (Output Enable)
RE125M0000S351	125.00000	3.3	±50	HCMOS	15	Tri-State (Output Enable)
RE125M0000S321	125.00000	3.3	±25	HCMOS	15	Tri-State (Output Enable)

SUGGESTED REFLOW PROFILE - For Reference Only



TAPE/REEL -Unit: mm

All Devices are packed in accordance with EIA standard RS-481-2 and specifications, 3000pcs/Reel



IMPORTANT NOTES AND DISCLAIMER

1. **ROHS COMPLIANCE:** The levels of RoHS restricted materials in this product are below the maximum concentration values (also referred to as the threshold limits) permitted for such substances, or are used in an exempted application, in accordance with EU RoHS Directive (EU) 2015/863 EC (RoHS3). RoHS Test Report for this product can be obtained at Download Center.
2. **REACH COMPLIANCE:** REACH substances of high concern (SVHCs) information is available for this product. Since the European Chemical Agency (ECHA) has published notice of their intent to frequently revise the SVHC listing for the foreseeable future, REACH Test Report for this product can be obtained at Download Center.
3. All Product parametric performance is indicated in the Electrical Characteristics for the listed herein test conditions, unless otherwise noted. Product performance may not be indicated by the Electrical Characteristics if operated under different conditions.
4. NextGen Component, Inc (*NextGen*) reserves the right to make changes to this document and its products and specifications at any time without notice. Customers should obtain and confirm the latest product information and specifications before final design, purchase or use.
5. *NextGen* makes no warranty, representation or guarantee regarding the suitability of its products for any particular purpose, not does *NextGen* assume any liability for application assistance or customer product design.
6. *NextGen* does not warrant or accept any liability with products which are purchased or used for any unintended or unauthorized application. No license is granted by implication or otherwise under any intellectual property rights of NextGen.
7. *NextGen* products are not authorized for use as critical components in life support devices or systems without express written approval by *NextGen*.
8. *NextGen* requires that customers first obtain an RMA (Returned Merchandise Authorization) number prior to returning any products. Returns must be made within 30 days of the date of invoice, be in the original packaging, unused and like-new condition. At the time of quoting or purchasing, a product may say that it is Non-Cancelable/ Non-Returnable (NCNR). These products are not returnable and not refundable.